



Plate clamp with safety lock model TBL/TBL plus

Capacity 500 - 3000 kg

This clamp is primarily used for transporting single steel plates in the vertical position, as well as lifting and turning through 180°. This clamp can also be used for transporting steel constructions and profiles. It is recommended to use a pair of plate clamps in conjunction with a spreader beam for large sized sheets and long materials which have a tendency to sag.

The jaw can be opened and closed with the locking lever (except for the TBL 0.5t which uses a positive spring-loaded cam). The safety lock overrides the spring-loaded cam, preventing the clamp from opening even when there is no load.

This plate clamp is service-friendly, making it easy to exchange parts, which are available individually or in kits. Clamp repair is available by the factory, or can be done by certified and experienced staff.

The TBL 0.5 is equipped with a safety lock (positive spring-loaded cam), but comes without locking lever.

INFO

The surface hardness of the material must not exceed HRC 30/Brinell 300.

The min. load is 10% of the nominal WLL. Except for model TBL 1,5plus, the min. load here is 100 kg!

Technical data model TBL/TBL plus

Model	EAN-No. 4025092* 4053981**	Capacity kg	Jaw capacity Z mm	Weight kg
TBL 0,5	*550000	500	0 - 16	1.5
TBL 1,5 plus	**522265	1500	0 - 20	3.0
TBL 2,0 plus	**526232	2000	0 - 32	9.3
TBL 3,0 plus	**526249	3000	0 - 32	9.3

Dimensions model TBL/TBL plus

Model	TBL 0,5	TBL 1,5 plus	TBL 2,0 plus	TBL 3,0 plus
A, mm	99	126	192	192
B, mm	195	225	312	312
Ø C, mm	29	50	80	80
D, mm	33	49	75	75
E, mm	47	70	96	96
F, mm	50	82	100	100
G, mm	48	55	81	81
H, mm	11	12	20	20
I, mm	16	20	24	24

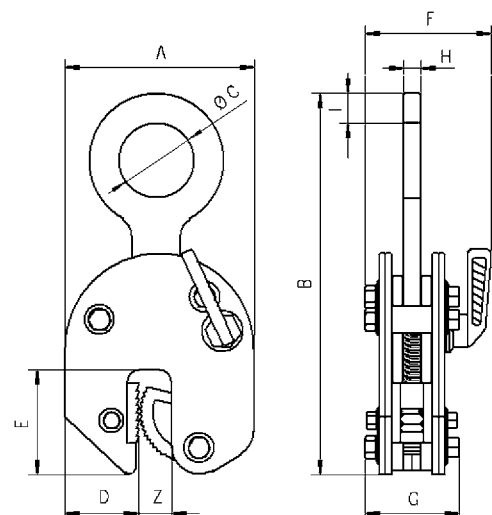


Plate clamp with safety lock model TBL

Capacity 4000 - 30000 kg

This clamp is primarily used for transporting single steel plates in the vertical position, as well as lifting and turning through 180°. This clamp can also be used for transporting steel constructions and profiles. It is recommended to use a pair of plate clamps in conjunction with a spreader beam for large sized sheets and long materials which have a tendency to sag.

These plate clamps have the same design and applications as the clamp model TBL with a capacity from 500 - 3000 kg.



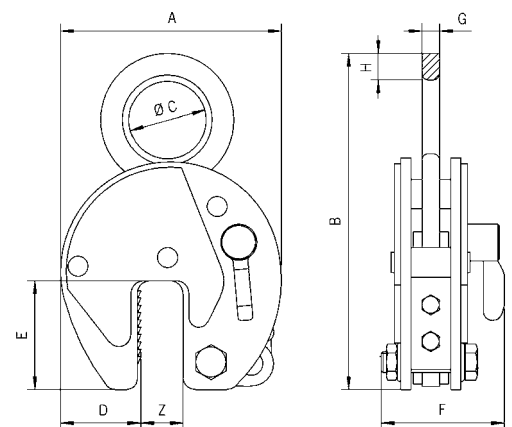
INFO

The surface hardness of the material must not exceed HRC 30/Brinell 300.

The min. load is 10% of the nominal WLL!

Technical data model TBL

Model	EAN-No. 4025092*	Capacity kg	Jaw capacity Z mm	Weight kg
TBL 4,0 S	*556545	4000	0 - 32	11.2
TBL 4,0 L	*556569	4000	30 - 60	11.9
TBL 6,0 S	*557221	6000	0 - 50	20.6
TBL 6,0 L	*556583	6000	50 - 100	23.2
TBL 8,0 S	*557245	8000	0 - 50	24.2
TBL 8,0 L	*557269	8000	50 - 100	28.8
TBL 10,0 S	*557283	10000	0 - 50	29.5
TBL 10,0 L	*557306	10000	50 - 100	35.1
TBL 12,0 S	*557320	12000	0 - 50	52.1
TBL 12,0 L	*557344	12000	50 - 100	63.0
TBL 15,0 S	*552936	15000	0 - 50	76.0
TBL 15,0 L	*552943	15000	50 - 100	86.0
TBL 20,0 S	*552950	20000	0 - 65	123.0
TBL 20,0 L	*551892	20000	65 - 130	135.0
TBL 30,0 S	*552967	30000	0 - 65	195.0
TBL 30,0 L	*552974	30000	65 - 130	256.0



Dimensions model TBL

Model	TBL 4,0 S	TBL 4,0 L	TBL 6,0 S	TBL 6,0 L	TBL 8,0 S	TBL 8,0 L	TBL 10,0 S	TBL 10,0 L	TBL 12,0 S	TBL 12,0 L	TBL 15,0 S	TBL 15,0 L	TBL 20,0 S	TBL 20,0 L	TBL 30,0 S	TBL 30,0 L
A, mm	197	228	293	362	293	362	293	362	360	460	360	460	462	560	462	560
B, mm	339	339	442	482	450	482	503	503	550	615	550	615	674	724	667	732
Ø C, mm	80	80	89	89	89	89	110	110	130	130	130	130	130	130	60	60
D, mm	68	68	95	114	95	114	95	114	125	175	125	175	165	195	165	195
E, mm	93	100	143	143	143	143	143	143	162	162	162	162	210	210	210	210
F, mm	110	110	129	129	129	129	139	139	154	154	204	204	235	235	295	295
G, mm	20	20	20	20	20	20	25	25	30	30	45	45	45	45	65	65
H, mm	32	32	35	35	42	42	45	45	55	55	55	55	65	65	66	67



Plate clamp with hinged hook ring and safety lock model TBS plus

Capacity 1000 - 3000 kg

The TBS plate clamp with hinged hook ring can be used for the safe handling of plates at various angles. It can lift plates from the horizontal and put down in the vertical or alternatively lift it over the edge by gripping it from the side. The hinged hook ring ensures adequate clamping force in every position. Depending on the angle of usage capacity restrictions have to be taken into account, as shown in the diagram below.

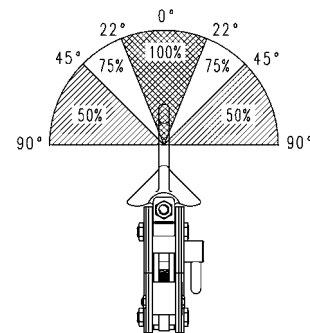
The hinged hook ring has the added advantage of providing enough clamping force to hold a plate safely. Even when transporting large-sized plates with the 2-legged lifting system slipping of the load and damage to the clamp is avoided.

In addition to transporting plates, this clamp is suitable for turning steel structures and welded constructions.

INFO

The surface hardness of the material must not exceed HRC 30/Brinell 300.

The min. load is 10% of the nominal WLL!



Technical data model TBS plus

Model	EAN-No. 4053981**	Capacity kg	Jaw capacity Z mm	Weight kg
TBS 1,0 plus	**526157	1000	0 - 20	4.6
TBS 2,0 plus	**526195	2000	0 - 32	14.3
TBS 3,0 plus	**526201	3000	0 - 32	14.3

Dimensions model TBS plus

Model	TBS 1,0 plus	TBS 2,0 plus	TBS 3,0 plus
A, mm	126	192	192
B, mm	270	382	382
Ø C, mm	50	80	80
D, mm	49	75	75
E, mm	70	96	96
F, mm	95	132	132
G, mm	63	92	92
H, mm	12	20	20
I, mm	23	30	30

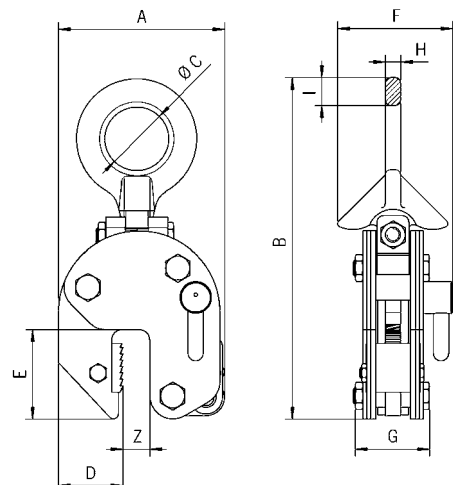


Plate clamp
with pivoting shackle and
safety lock
model TBS

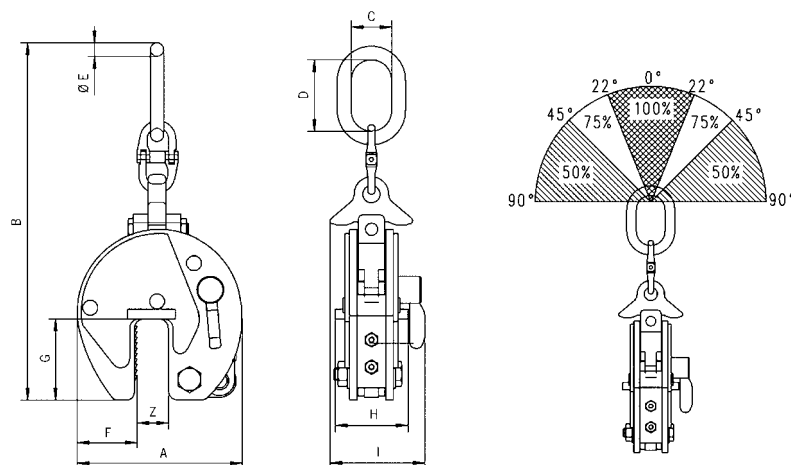
Capacity 4500 - 10000 kg



INFO

The surface hardness of the material must not exceed HRC 30/Brinell 300.

The min. load is 10% of the nominal WLL!



Technical data model TBS

Model	EAN-No. 4025092*	Capacity kg	Jaw capacity Z mm	Weight kg
TBS 4,5	*550352	4500	0 - 50	34.4
TBS 6,0 S	*550383	6000	0 - 50	38.0
TBS 6,0 L	*551250	6000	50 - 100	42.0
TBS 8,0 S	*552578	8000	0 - 50	39.0
TBS 8,0 L	*557528	8000	50 - 100	42.4
TBS 10,0 S	*552516	10000	0 - 50	68.0
TBS 10,0 L	*557542	10000	50 - 100	80.0

Dimensions model TBS

Model	TBS 4,5	TBS 6,0 S	TBS 6,0 L	TBS 8,0 S	TBS 8,0 L	TBS 10,0 S	TBS 10,0 L
A, mm	292	292	367	292	367	360	446
B, mm	675	737	785	737	785	903	921
C, mm	90	95	98	98	98	110	112
D, mm	180	176	180	176	180	195	195
Ø E, mm	27.8	27.8	27.8	27.8	27.8	33	33
F, mm	95	95	115	95	115	125	168
G, mm	143	143	143	143	143	162	162
H, mm	135	137	135	136	136	170	170
I, mm	185	188	188	210	210	223	223



Universal grab model TAG

Capacity 350 - 10000 kg

-with modified side plates model TWG

Capacity 350 - 2000 kg

The universal grabs TAG and TWG save time, as it does not require chains, cables etc. when hoisting and loading material. The large jaw capacity allows to tackle a variety of sizes with only one clamp. It can be used for loading machine tools, lifting steel constructions, welding and assembly jobs as well as for concrete and prefabricated pieces.

The universal grab with a small outside measurement is a specially designed grab for use on hard to reach places (e.g. lathe machine).

Features

- The automatic clamping force is retained by a positive tension spring, even if there is slack in the chain.
- The "Quick-Open" type universal grab opens by lifting and simultaneously pulling the lever out against the tension spring. The jaw is closed by the spring.
- Universal grabs up to 2.0t capacity are equipped with round chains, clamps with increased capacities are delivered with roller chains.

Option

- Model TAG up to 1.25t WLL is available with protective lining on the clamping jaws on request. This results in a decrease of the jaw capacity by 10 mm.

INFO

The surface hardness of the material must not exceed HRC 30/Brinell 300.

The min. load is 10% of the nominal WLL!



Model TWG with modified side plates for use in confined spaces (e.g. lathe machine).

Technical data model TAG

Model	EAN-No. 4025092*	Capacity kg	Jaw width mm	Jaw capacity mm	Weight kg
TAG 0,35/100	*550413	350	100	0 - 100	8.7
TAG 0,35/200	*551724	350	200	90 - 200	16.3
TAG 0,75/100	*550253	750	100	0 - 100	8.6
TAG 0,75/200	*552806	750	200	90 - 200	16.6
TAG 1,25/100	*550468	1250	100	0 - 100	14.9
TAG 1,25/200	*551502	1250	200	90 - 200	24.3
TAG 2,0/100	*550642	2000	100	0 - 100	20.8
TAG 2,0/200	*551366	2000	200	90 - 200	29.1
TAG 3,0/90	*550840	3000	90	5 - 90	26.5
TAG 5,0/90	*550345	5000	90	5 - 90	30.5
TAG 5,0/170	*551915	5000	170	80 - 170	43.8
TAG 10,0/100	*552059	10000	100	0 - 100	70.0
TAG 10,0/200	*553001	10000	200	100 - 200	105.0

Technical data model TWG

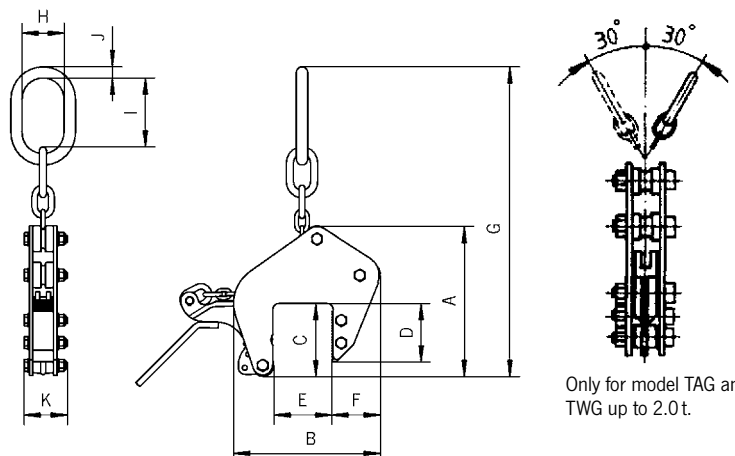
Model	EAN-No. 4025092* 4053981**	Capacity kg	Jaw width mm	Jaw capacity mm	Weight kg
TWG 0,35/100	*558952	350	100	30 - 100	11.0
TWG 0,75/100	*558969	750	100	30 - 100	11.0
TWG 1,25/100	*558976	1250	100	30 - 100	16.0
TWG 1,25/200	**926445	1250	200	100 - 200	23.0
TWG 2,0/100	-	2000	100	30 - 100	23.0

Dimensions model TAG

Model	TAG 0,35/100	TAG 0,35/200	TAG 0,75/100	TAG 0,75/200	TAG 1,25/100	TAG 1,25/200	TAG 2,0/100	TAG 2,0/200	TAG 3,0/90	TAG 5,0/90	TAG 5,0/170	TAG 10,0/100	TAG 10,0/200
A, mm	264	382	264	382	320	382	328	375	297	297	354	405	440
B, mm	259	434	259	434	289	434	415	515	290	290	423	423	562
C, mm	128	195	128	195	128	195	135	195	136	136	180	160	200
D, mm	100	156	100	156	100	156	115	165	106	106	155	130	175
E, mm	100	200	100	200	100	200	100	200	90	90	170	100	200
F, mm	85	120	85	120	85	120	105	160	91	91	118	160	183
G, mm	550	760	550	760	570	760	571	750	570	570	620	720	840
H, mm	75	75	75	75	75	75	75	75	82	82	82	102	102
I, mm	121	121	121	121	121	121	121	121	111	111	111	144	144
J, mm	20	20	20	20	20	20	20	20	32	32	32	40	40
K, mm	78	90	83	90	83	90	105	105	137	147	147	208	208

Dimensions model TWG

Model	TWG 0,35/100	TWG 0,75/100	TWG 1,25/100	TWG 1,25/200	TWG 2,0/100
A, mm	264	264	320	382	328
B, mm	209	209	255	374	383
C, mm	129	128	128	195	135
D, mm	100	100	100	156	115
E, mm	100	100	100	200	100
F, mm	35	35	51	60	73
G, mm	550	550	570	760	571
H, mm	75	75	75	75	75
I, mm	121	121	121	121	121
J, mm	20	20	20	20	20
K, mm	78	83	83	90	105



Only for model TAG and TWG up to 2.0t.

Permanent load lifting magnets model TPM

Capacity

100 - 3000 kg (Flat material),
50 - 1500 kg (Round material)

TPM load lifting magnets are ideal tools for easy, quick and thus economical transport of heavy objects made of ferro-magnetic material. Typical operating areas are workshops and warehouses, loading and unloading of machines as well as construction of jigs and fixtures.

Compact design of the units for a large number of applications.

The load is not affected mechanically which allows lifting of flat as well as round material. The efficient magnet body provides strong lifting capacity at low dead weight. The permanent magnets do not require electric energy and will leave only minor residual magnetism on the material after use.

The magnets are activated/deactivated easily by turning a locking lever. In activated condition the hand lever will be safely locked and thus prevent unintended demagnetising.

The selection of the appropriate magnet model should be made under consideration of the varying conditions of the contact surface, kind of material alloy and plate thickness /bar diameter (see table).

INFO

In order to achieve a maximum capacity, the contact surface should be bright and free from dirt, oil, grease, scale, corrosion, paint etc.



Technical data model TPM

Model	EAN-No. 4025092* 4053981**	Flat material capacity ¹ max. kg	Material thickness min. at max. capacity mm	Flat material length of material max. mm	Round material capacity ¹ max. kg	Round material diameter mm	Round material length of material max. mm	Test load kg	Weight kg
TPM 0,1	*558853	100	14	2000	50	40 - 300	2000	300	5.3
TPM 0,3	*558860	300	20	2500	150	60 - 300	2500	900	13.5
TPM 0,5	*558877	500	24	3000	250	60 - 400	3000	1500	27.5
TPM 0,8	*558884	800	34	3500	400	60 - 400	3500	2400	52.0
TPM 1,0	*558891	1000	40	3500	500	80 - 400	3500	3000	57.0
TPM 2,0	*190367	2000	55	3500	1000	100 - 400	3500	6000	125.0
TPM 3,0	**022628	3000	65	3500	1500	200 - 500	3500	9000	195.0

¹ Measured on bright drawn material St 37

Dimensions model TPM

Model	TPM 0,1	TPM 0,3	TPM 0,5	TPM 0,8	TPM 1,0	TPM 2,0	TPM 3,0
A, mm	122	192	232	302	332	392	497
B, mm	69	95	120	154	154	196	220
C, mm	185	225	270	320	320	420	453
D, mm	160	250	250	450	450	450	600

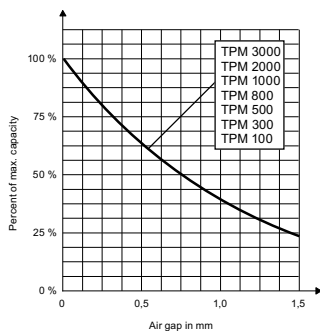


Diagram: WLL/air gap

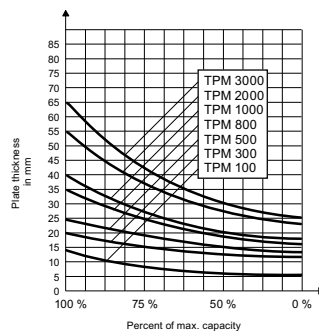
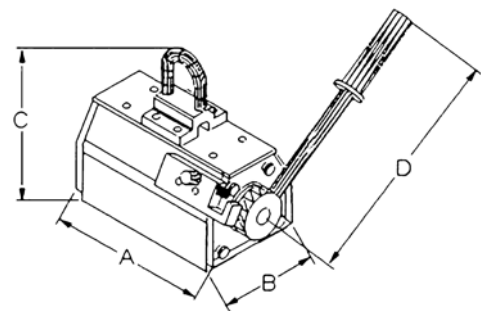
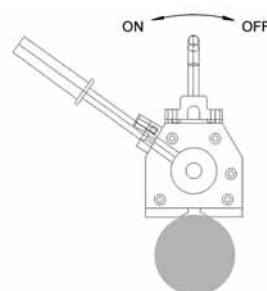
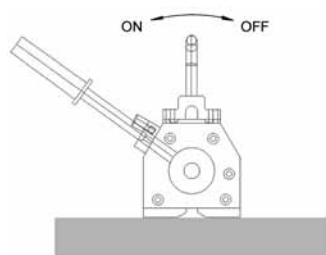


Diagram: WLL/material thickness



Model TPM



Correct use On/Off

Reduction of capacity	% of capacity
Temperature ≤ 60 °C	100%
Humidity ≤ 80%	100%
St 52	95%
Alloy steel	80%
High carbon steel	70%
Cast iron	45%
Nickel	45%
Austenitic, stainless steel	0%
Brass	0%
Aluminium	0%





Non-marring grab model TBP

Capacity 500 - 1500 kg

The TBP non-marring grab is suitable for lifting, turning and transporting of plates with a sensitive surface without leaving behind indentations.

It can be used for aluminium and stainless steel plate or those with an extremely hard surface.

INFO

The surface of the plate must be free of oil, grease or any other liquid to ensure safe transport.

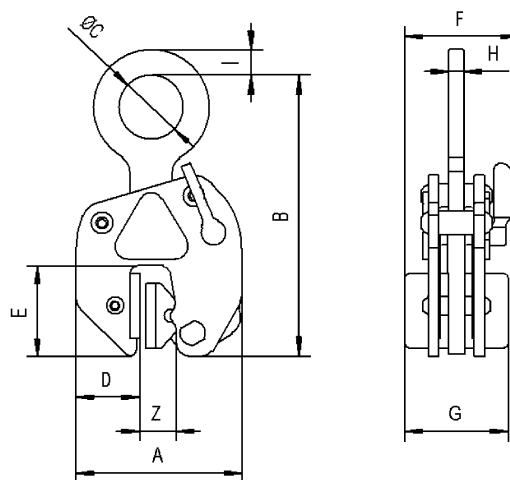
The min. load is 10% of the nominal WLL!

Technical data model TBP

Model	EAN-No. 4025092*	Capacity kg	Jaw capacity Z mm	Weight kg
TBP 0,5	*556378	500	0 - 10	3.0
TBP 1,5	*556392	1500	0 - 20	12.6

Dimensions model TBP

Model	TBP 0,5	TBP 1,5
A, mm	127	215
B, mm	200	345
D, mm	52	75
E, mm	69	135
F, mm	87	131
G, mm	76	118
H, mm	13	20
I, mm	20	24
Ø C, mm	55	85



Non-marring grab with chain model TSB

Capacity 350 - 1250 kg

The TSB grab has parallel-facing jaws that equally distribute the clamping pressure over a relatively large surface area. This makes the grab attractive for plate material with sensitive surfaces. The protective lining "Bremsit" offers an outstanding friction coefficient, thereby enhancing the grip of the jaws. This lining can be easily replaced when worn.

Similar to the universal grab, this grab has a large jaw capacity and the security of a safety lock device with a hold-open/hold-closed feature.



INFO

The surface of the plate must be free of oil, grease or any other liquid to ensure safe transport.

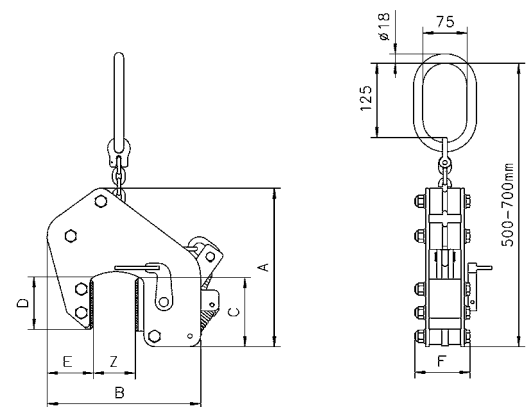
The min. load is 10% of the nominal WLL!

Technical data model TSB

Model	EAN-No. 4025092*	Capacity kg	Jaw capacity Z mm	Weight kg
TSB 0,35/65	*550772	350	0 - 65	11.6
TSB 0,75/65	*550826	750	0 - 65	11.8
TSB 1,25/65	*550727	1250	0 - 65	16.7

Dimensions model TSB

Model	TSB 0,35/65	TSB 0,75/65	TSB 1,25/65
A, mm	270	270	270
B, mm	260	260	260
C, mm	128	128	128
D, mm	100	100	100
E, mm	65	65	65
F, mm	78	78	78





Girder grab for horizontal transport model TTG

Capacity 500 - 7500 kg

The girder grab TTG is designed for the horizontal transport of girders, metal plates, profiles etc. The offset suspension lug ensures that the flange of the girder will be kept practically horizontal during transport.

The positive safety lock keeps the clamp safely locked, even before the lift begins. This allows the operator to place the clamp, lock it closed and move away from the load. The lever ensures easy opening and closing of the clamping jaw and has a "lock open" feature.

INFO

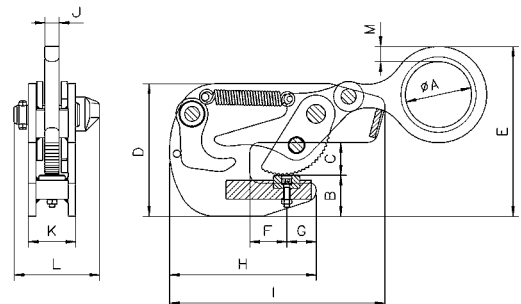
When transporting long girders, it is recommended to use a pair of clamps in conjunction with a spreader beam.

Technical data model TTG

Model	EAN-No. 4025092*	Capacity kg	Jaw capacity mm	Weight kg
TTG 0,5	*557931	500	0 - 20	2.9
TTG 1,5	*550239	1500	0 - 30	6.8
TTG 3,0	*550192	3000	0 - 35	11.3
TTG 4,5	*550451	4500	0 - 40	14.8
TTG 7,5	*551205	7500	0 - 45	30.0

Dimensions model TTG

Model	TTG 0,5	TTG 1,5	TTG 3,0	TTG 4,5	TTG 7,5
Ø A, mm	50	70	80	90	110
B, mm	36	43	55	60	64
C, mm	25	35	42	46	55
D, mm	148	140	180	196	222
E, mm	200	180	214	248	304
F, mm	27	40	40	40	50
G, mm	20	30	32	35	42
H, mm	95	155	190	207	237
I, mm	110	230	284	314	367
J, mm	10	15	20	20	22
K, mm	56	50	60	64	90
L, mm	85	100	114	117	143
M, mm	13	16	20	25	30



Girder grab for vertical transport model TTR

Capacity 750 - 3000 kg

The girder grab TTR is designed for vertical transport, especially for lifting and stacking of girders. The unique position of the offset suspension lug keeps the girder virtually in a vertical position during transport.

The positive safety lock keeps the clamp safely locked, even before the lift begins. This allows the operator to place the clamp, lock it closed and move away from the load. The lever ensures easy opening and closing of the clamping jaw and has a "lock open" feature.



INFO

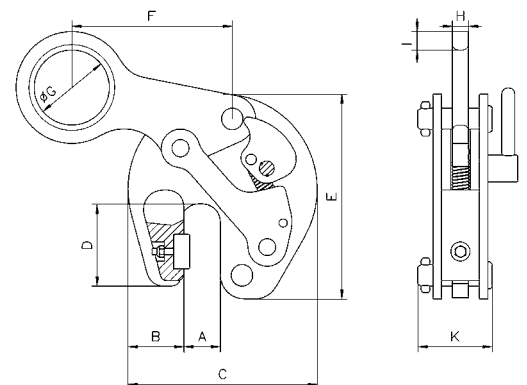
When transporting long girders, it is recommended to use a pair of clamps in conjunction with a spreader beam.

Technical data model TTR

Model	EAN-No. 4025092*	Capacity kg	Jaw capacity mm	Weight kg
TTR 0,75	*550499	750	5 - 16	3.1
TTR 1,50	*550246	1500	5 - 25	6.8
TTR 3,00	*550550	3000	5 - 28	10.9

Dimensions model TTR

Model	TTR 0,75	TTR 1,50	TTR 3,00
A, mm	24	33	37
B, mm	40	53	56
C, mm	132	176	194
D, mm	62	76	78
E, mm	145	190	208
F, mm	118	152	163
Ø G, mm	50	70	80
H, mm	12	15	20
I, mm	12	17	23
K, mm	53	69	85





Girder grab for horizontal transport model TTT

Capacity 750 - 4500 kg

The girder grab TTT is used for the horizontal transport of steel girders. Due to the split fixed jaw, it can be positioned centrally on the end of the beam. The grab should only be used in pairs.

The safety lock with positive spring tension holds the grab in position on the end of the girder even without load tension.

The lever is used to engage and disengage the jaw and to keep it open.

INFO

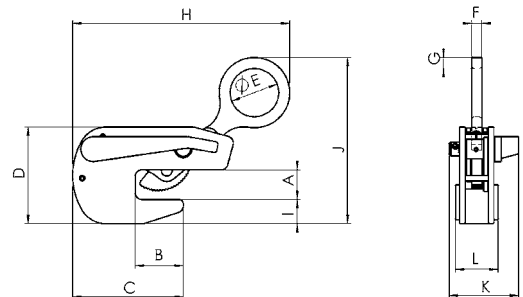
The angle from the vertical must not exceed 30°!

Technical data model TTT

Model	EAN-No. 4025092*	Capacity kg	Jaw capacity mm	Weight kg
TTT 0,75	*558501	750	0 - 20	3
TTT 1,5	*558518	1500	0 - 35	6
TTT 3,0	*558525	3000	0 - 40	10
TTT 4,5	*558532	4500	0 - 45	16

Dimensions model TTT

Model	TTT 0,75	TTT 1,5	TTT 3,0	TTT 4,5
A, mm	30	38	50	60
B, mm	70	70	75	90
C, mm	100	155	195	222
D, mm	142	150	195	222
Ø E, mm	50	70	80	90
F, mm	16	19	19	22
G, mm	16	20	25	30
H, mm	225	335	400	450
I, mm	45	45	80	90
J, mm	200	210	214	248
K, mm	106	120	125	147
L, mm	52	66	80	88



Horizontal lifting gear model TCH

Capacity 1000 - 10000 kg

The TCH horizontal lifting gear consists of two clamps with a two-legged chain sling. It is especially suited for the transport of single plates with a minimum thickness of approx. 5 mm as well as for plate bundles.

The two-legged version is appropriate for normal sized plates. For extra large or long plates, it is recommended to use two sets of the two-legged lifting gears in conjunction with a spreader beam.

In the standard version, the lifting clamp is suitable for plates up to 1500 mm width. Lifting gears with longer chains for larger plate widths are available on request. The capacity applies to a pair of lifting clamps. Single clamps are also available.



INFO

The angle from the vertical must not exceed 45°!

Technical data model TCH

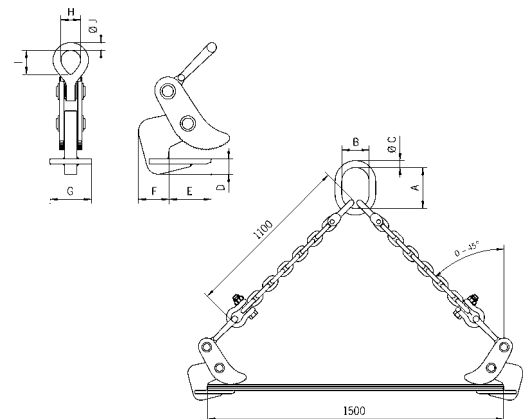
Model	EAN-No. 4025092* for lifting gear two-legged	EAN-No. 4025092* single clamp	Capacity ¹ kg	Jaw capacity mm	Weight ² kg
TCH 1,0	*551625	*558778	1000	0 - 50	13.0
TCH 2,0	*551991	*551168	2000	5 - 32	17.7
TCH 4,0	*551755	*550895	4000	5 - 50	31.0
TCH 6,0	*553230	*550888	6000	5 - 75	69.0
TCH 8,0	*553247	*552097	8000	5 - 75	72.0
TCH 10,0/1	*553254	*551465	10000	5 - 100	93.8
TCH 10,0/2	*552042	*552738	10000	50 - 150	108.6

¹ Per pair, up to an angle of 45° from the vertical

² Weight for two single clamps with chain

Dimensions model TCH

Model	TCH 1,0	TCH 2,0	TCH 4,0	TCH 6,0	TCH 8,0	TCH 10,0/1	TCH 10,0/2
A, mm	135	160	180	200	260	300	300
B, mm	75	90	100	110	140	160	160
Ø C, mm	18	22	26	32	36	40	40
D, mm	15	32	44	58	56	70	66
E, mm	82	83	114	172	170	216	218
F, mm	65	61	75	97	100	116	116
G, mm	100	100	99	129	128	149	150
H, mm	32	49	62	90	90	113	113
I, mm	44	72	89	127	130	113	113
Ø J, mm	13	19	26	36	37	50	50





Horizontal lifting gear model TGF

Capacity 350 - 6650 kg

The TGF horizontal lifting gear consists of two clamps with a two-legged chain sling and is especially suited for the transport of plate bundles.

The clamps are easily adjusted to the height of the plate by a special ratcheting lever.

The lifting clamps are available in special versions for bundle thicknesses up to 400 mm.

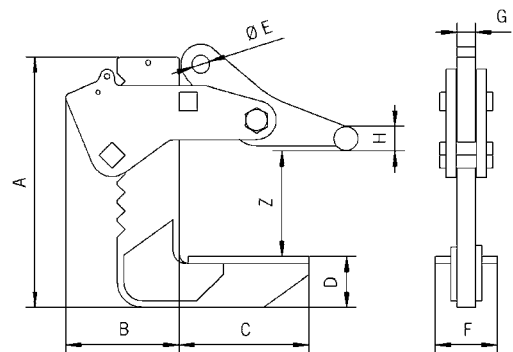
Scope of delivery for horizontal lifting gear

2 clamps and two-legged chain sling for plate width 1500 mm.

INFO

The angle from the vertical must not exceed 45°!

Capacity ratings are valid for a complete two-legged chain system. Also available as single clamp (without shackle).



Technical data model TGF

Model	EAN-No. 4025092* for lifting gear two-legged	EAN-No. 4025092* single clamp	Capacity ¹ kg	Jaw capacity Z mm	Weight ² kg
TGF 0,3/150	*553087	*553216	350	0 - 150	21
TGF 0,6/150	*553094	*553223	650	0 - 150	22
TGF 1,3/150	*552745	*552554	1300	0 - 150	23
TGF 2,3/150	*551731	*551809	2300	0 - 150	33
TGF 3,3/150	*551342	*550833	3300	0 - 150	39
TGF 5,0/150	*553100	*553322	5000	0 - 150	59
TGF 6,6/150	*553117	*551885	6650	0 - 150	65
TGF 0,3/250	*552882	*553339	350	0 - 250	21
TGF 0,6/250	*553124	*552387	650	0 - 250	22
TGF 1,3/250	*552608	*553346	1300	0 - 250	23
TGF 2,3/250	*552363	*552622	2300	0 - 250	33
TGF 3,3/250	*553131	*551540	3300	0 - 250	39
TGF 5,0/250	*552189	*553353	5000	0 - 250	59
TGF 6,6/250	*553148	*551656	6650	0 - 250	87

¹ Complete two-legged lifting gear, angle from the vertical max. 45°

² Complete two-legged lifting gear

Dimensions model TGF

Model	TGF 0,3/150	TGF 0,6/150	TGF 1,3/150	TGF 2,3/150	TGF 3,3/150	TGF 5,0/150	TGF 6,6/150	TGF 0,3/250	TGF 0,6/250	TGF 1,3/250	TGF 2,3/250	TGF 3,3/250	TGF 5,0/250	TGF 6,6/250
A, mm	298	298	298	321	321	405	405	448	448	448	417	417	495	495
B, mm	122	122	122	130	130	185	185	122	122	122	130	130	185	185
C, mm	160	160	160	160	160	210	210	140	140	140	160	160	210	210
D, mm	41	41	41	50	50	82	82	41	41	41	60	60	82	82
Ø E, mm	20	20	20	23	23	30	30	20	20	20	23	23	30	30
F, mm	80	80	80	80	80	100	100	80	80	80	80	80	100	100
G, mm	20	20	20	25	25	30	30	20	20	20	25	25	30	30
Ø H, mm	25	25	25	25	25	40	40	25	25	25	25	25	40	40

Horizontal lifting hook model BVH

Capacity 500 - 7500 kg

The BVH horizontal lifting hooks are used in pairs with chain or wire rope slings to lift plate bundles that are relatively close to the ground.

The high tensile hooks have a serrated lifting surface.



INFO

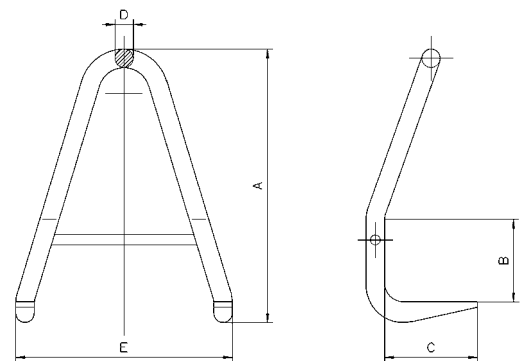
The angle from the vertical must be 30-45°.

The chain has to be in line with the crank of the lifting hooks.

Technical data model BVH

Model	EAN-No. 4025092*	Capacity ¹ kg	Weight kg
BVH 0,5	*557023	500	1.2
BVH 1,12	*557047	1120	1.4
BVH 1,5	*557061	1500	2.4
BVH 2,0	*557085	2000	3.9
BVH 2,5	*557108	2500	8.2
BVH 3,2	*557122	3200	8.3
BVH 4,0	*557146	4000	13.6
BVH 5,0	*557160	5000	21.0
BVH 6,0	*557184	6000	39.0
BVH 7,5	*557207	7500	60.0

¹Per unit



Dimensions model BVH

Model	BVH 0,5	BVH 1,12	BVH 1,5	BVH 2,0	BVH 2,5	BVH 3,2	BVH 4,0	BVH 5,0	BVH 6,0	BVH 7,5
A, mm	180	210	240	280	340	400	530	660	800	980
B, mm	50	60	70	80	100	120	160	200	250	300
C, mm	80	95	105	115	120	140	180	210	250	300
D, mm	18	20	22	26	32	32	36	40	50	60
E, mm	150	170	200	220	270	320	420	520	640	760



Lifting clamp with safety lock model THS

Capacity 750 - 4500 kg

The THS lifting clamp is normally used in pairs especially for the horizontal transport of plates. The transport of slightly sagging plates is also possible. Individually, it can be used to load presses shears, and other machines. The safety lock is preventing the clamp from opening, even when there is no load. The jaws can be opened and closed with the safety lock lever. This clamp has a lock-open feature.

Option

- The models THS 1.5 and THS 3.0 are available with a hinged hook ring on request.



INFO

When used in pairs the angle from the vertical must not exceed 30°.

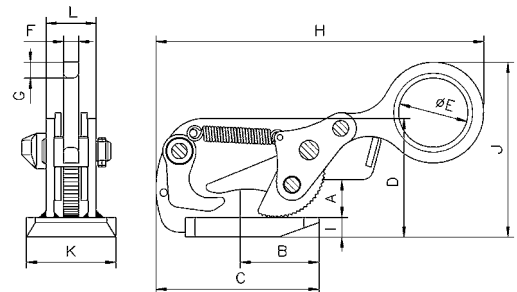
Technical data model THS

Model	EAN-No. 4025092*	Capacity ¹ kg	Jaw capacity mm	Weight kg
THS 0,75	*551267	750	0 - 20	3.2
THS 1,5	*550734	1500	0 - 35	6.1
THS 3,0	*551373	3000	0 - 40	12.7
THS 4,5	*553483	4500	0 - 40	16.5

¹ Per unit

Dimensions model THS

Model	THS 0,75	THS 1,5	THS 3,0	THS 4,5
A, mm	30	38	45	47
B, mm	70	80	95	110
C, mm	130	165	205	235
D, mm	97	120	160	196
Ø E, mm	50	70	80	90
F, mm	12	15	20	20
G, mm	15	17	25	30
H, mm	255	335	400	450
I, mm	15	20	30	59
J, mm	135	165	195	230
K, mm	80	90	100	110
L, mm	40	50	60	64



Lifting clamp model TWH

Capacity 1500 - 5000 kg

The TWH lifting clamp, when used in pairs, is well-suited for horizontal transport of individual and bundled plates.

The clamp is not suited for thin plates that have a tendency to sag during transport.

It is normally used in combination with a two-legged chain sling.

The capacity (WLL) applies to a pair of lifting clamps.

Option

- Protective lining



INFO

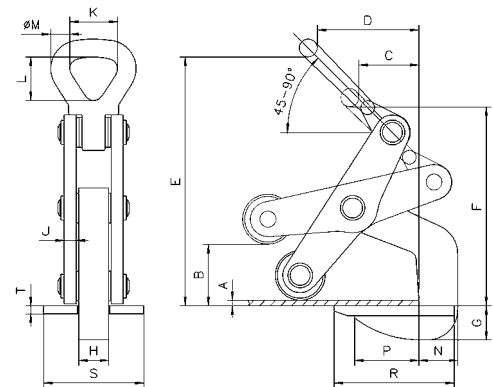
The angle from the vertical must not exceed 45°!

Technical data model TWH

Model	EAN-No. 4025092*	Capacity ¹ kg	Jaw capacity mm	Weight ² kg
TWH 30 with rollers	*550529	1500	5 - 60	5.6
TWH 50 with rollers	*551441	2500	10 - 70	10.3
TWH 70 with rollers	*551380	3500	10 - 80	13.4
TWH 100 with rollers	*551618	5000	10 - 102	27.7
TWH 30 with plate	*555654	1500	5 - 60	5.7
TWH 50 with plate	*555661	2500	10 - 70	10.3
TWH 70 with plate	*555678	3500	10 - 80	13.5
TWH 100 with plate	*555685	5000	10 - 102	27.8

¹Per pair, angle from the vertical max. 45°

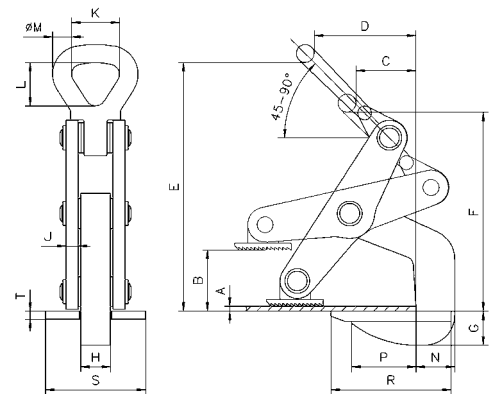
²Per unit



Model TWH with rollers

Dimensions model TWH

Model	TWH 30 with rollers	TWH 50 with rollers	TWH 70 with rollers	TWH 100 with rollers	TWH 30 with plate	TWH 50 with plate	TWH 70 with plate	TWH 100 with plate
A, mm	5	10	10	10	5	10	10	10
B, mm	60	70	80	102	60	70	80	102
C, mm	60	75	90	110	60	75	90	110
D, mm	105	130	162	170	105	130	162	170
E, mm	250	315	345	425	250	315	345	425
F, mm	200	275	292	345	200	275	292	345
G, mm	31	45	55	57	22	38	48	45
H, mm	30	30	30	45	30	30	30	45
J, mm	12	12	15	20	12	12	15	20
K, mm	50	64	64	89	50	64	64	89
L, mm	73	92	92	130	73	92	92	130
Ø M, mm	18	25	25	35	18	25	25	35
N, mm	36	58	65	80	36	58	65	80
P, mm	65	77	105	120	65	77	105	120
R, mm	120	150	185	210	120	150	185	210
S, mm	100	100	100	120	100	100	100	120
T, mm	10	10	10	12	10	10	10	12



Model TWH with plate



Lifting clamp model THK

Capacity 750 - 9000 kg

The THK lifting clamp, when used in pairs, is especially well-suited for horizontal transport of thin plates that have a tendency to sag.

It is normally used in combination with a two-legged chain sling.

The capacity applies to a pair of lifting clamps.



INFO

The angle from the vertical must not exceed 30°!

Technical data model THK

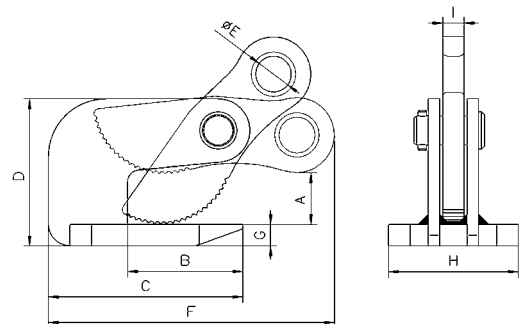
Model	EAN-No. 4025092*	Capacity ¹ kg	Jaw capacity mm	Weight ² kg
THK 0,75	*550628	750	0 - 25	1.7
THK 1,5	*550284	1500	0 - 35	3.2
THK 3,0	*550390	3000	0 - 35	5.7
THK 4,5	*551120	4500	0 - 45	8.4
THK 6,0	*551038	6000	0 - 60	11.6
THK 9,0	*551960	9000	0 - 60	17.9

¹ Per pair, angle from the vertical max. 30°

² Per unit

Dimensions model THK

Model	THK 0,75	THK 1,5	THK 3,0	THK 4,5	THK 6,0	THK 9,0
A, mm	25	36	38	48	63	65
B, mm	72	80	93	103	124	113
C, mm	118	135	168	183	214	223
D, mm	81	102	119	140	176	188
Ø E, mm	20	25	30	30	35	40
F, mm	161	198	227	238	284	317
G, mm	12	15	20	25	30	35
H, mm	86	102	110	122	110	148
I, mm	12	15	20	20	20	20



Board clamp model TPZ

Capacity 400 - 750 kg

The TPZ clamp is made for lifting and vertically transporting wood, particle board and plastic sheets.

The pliers are fastened to the plate with the aid of a hand-held lever. The jaw, which has a protective lining, grabs once lifting begins and holds the board securely.

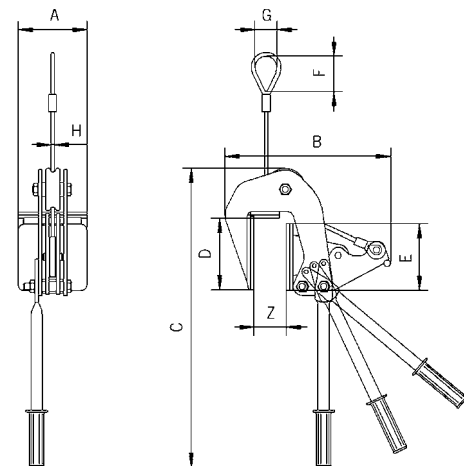


Technical data model TPZ

Model	EAN-No. 4025092*	Capacity kg	Jaw capacity Z mm	Weight kg
TPZ 0,4/55	*555234	400	5 - 55	6.3
TPZ 0,4/100	*558983	400	55 - 100	9.0
TPZ 0,75/60	*558990	750	5 - 60	12.0
TPZ 0,75/120	*559003	750	60 - 120	14.0

Dimensions model TPZ

Model	TPZ 0,4/55	TPZ 0,4/100	TPZ 0,75/60	TPZ 0,75/120
A, mm	120	120	155	155
B, mm	290	335	349	406
C, mm	525	525	545	560
D, mm	125	125	145	145
E, mm	117	117	135	135
F, mm	60	60	121	121
G, mm	40	40	75	75
H, mm	6	6	8x24	8x24



Model TPZ, up to 400 kg equipped with rope, from 750 kg equipped with chain.



Manual claw, magnetic model THM

Capacity 120 - 170 kg

The THM manual magnetic claw is used for transporting steel sheets horizontally and vertically, lifting plates from racks, pulling steel sheets out of shelving, as well as transporting flat pieces of magnetizable steel.

The clamp, depending on the type, can be used for plate thicknesses from 1 to 5 mm.

Pressing down on the handle activates a cam which releases the magnetic claw from the workpiece.

This manual claw is maintenance-free and keeps the magnetic force for an unlimited period of time.

INFO

In order to achieve a maximum capacity, the contact surface should be bright and free from dirt, oil, grease, scale, corrosion, paint etc.

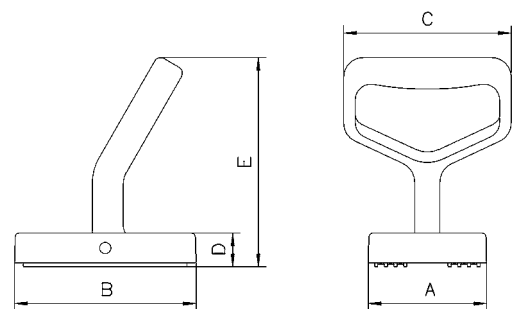
Technical data model THM

Model	EAN-No. 4025092*	Capacity ¹ kg	Pulling capacity ¹ kg	Weight kg
THM 120	*550963	120	70	2
THM 170	*550437	170	100	2

¹ Measured at a safety factor 2:1 on bright drawn material St37 k

Dimensions model THM

Model	THM 120	THM 170
A, mm	90	116
B, mm	140	140
C, mm	130	130
D, mm	25	25
E, mm	172	172



Hand clamp model THG

Capacity 250 kg

The THG hand clamp is suited for the individual transport of light and thin plates. Pressing down on the hand grip releases the tension spring, allowing the clamp to open and slide onto the plate.

The plate can be transported by holding onto the ergonomically designed hand grip.

The positive spring pressure prevents the plate from accidental slipping out of the clamp.



INFO

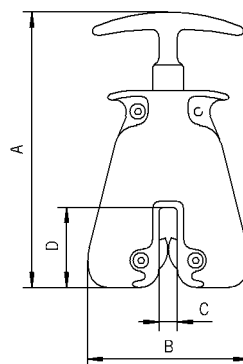
The plate surface of the material must not exceed a hardness of HRC 30.

Technical data model THG

Model	EAN-No. 4025092*	Capacity kg	Jaw capacity mm	Weight kg
THG	*556057	250	0 - 10	1.4

Dimensions model THG

Model	THG
A, mm	184
B, mm	105
C, mm	12
D, mm	53
Thickness, mm	40



Attaching



Transport



Screw clamp for vertical and horizontal pulling model TSH

Capacity 750 - 5000 kg

The screw clamp offers many possible applications. It is particularly useful for lifting, turning and pulling steel plates, girders and steel constructions.

The spindle is closed only finger tight.

Once the screw clamp is tightened and lifting begins, the pivoting pad clamping system produces a wedging action against the material, holding it securely.

Technical data model TSH

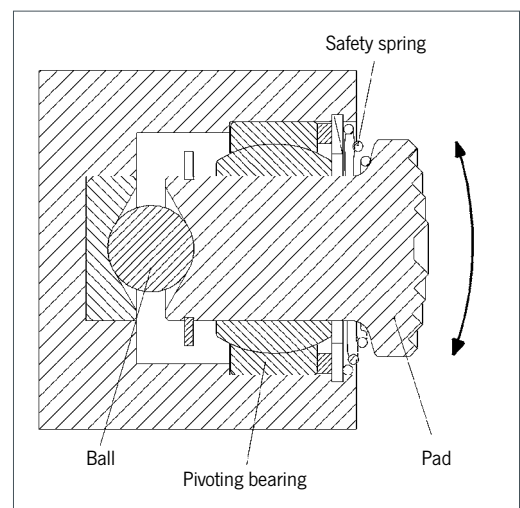
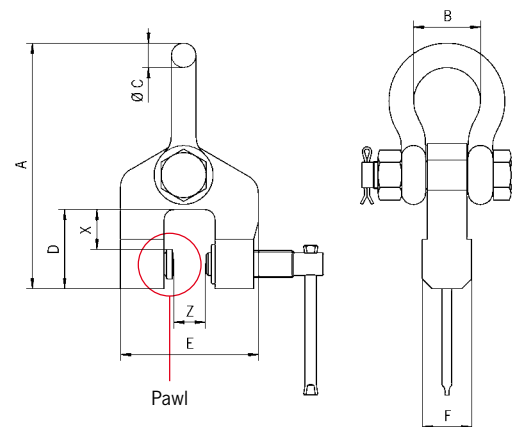
Model	EAN-No. 4025092*	Capacity kg	Jaw capacity Z mm	Weight kg
TSH 0,75	*559027	750	0 - 28	3.1
TSH 1,5	*550123	1500	0 - 32	7.4
TSH 2,0	*120302	2000	90 - 140	14.8
TSH 2,0 S	*426756	2000	50 - 100	14.5
TSH 3,0	*550154	3000	0 - 50	11.4
TSH 5,0	*550215	5000	0 - 80	27.6

Dimensions model TSH

Model	TSH 0,75	TSH 1,5	TSH 2,0	TSH 2,0 S	TSH 3,0	TSH 5,0
A, mm	190	255	318	318	290	470
B, mm	52	65	74	74	74	130
Ø C, mm	19	26	30	30	30	50
D, mm	43	75	90	90	85	135
E, mm	113	130	286	246	170	225
F, mm	35	44	60	60	50	72
X, mm	15	40	38	38	40	50

INFO

The plate surface of the material must not exceed a hardness level of HRC 50.



Functional drawing pivoting pad

**Screw clamp
for lifting and pulling
model TSD**

Capacity 1500 - 7500 kg

The TSD screw clamp is a valuable asset when lifting, pulling and fitting sheet material as well as steel constructions.

The spindle is closed only finger tight.

When the screw clamp is tightened and lifting begins, the pivoting pad clamping system produces a wedging action against the material, holding it securely.

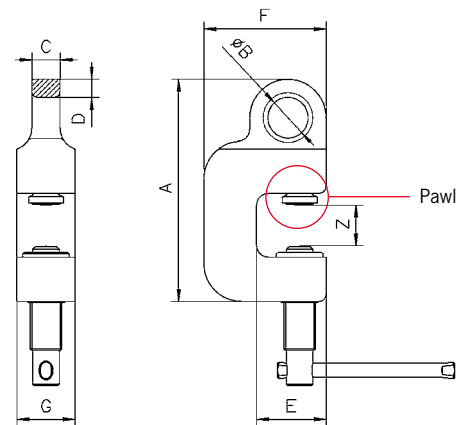


Technical data model TSD

Model	EAN-No. 4025092*	Capacity kg	Jaw capacity Z mm	Weight kg
TSD 1,5	*550598	1500	0 - 35	4.8
TSD 3,0	*550864	3000	0 - 35	8.1
TSD 5,0	*551717	5000	0 - 40	14.5
TSD 7,5	*550987	7500	0 - 40	18.1

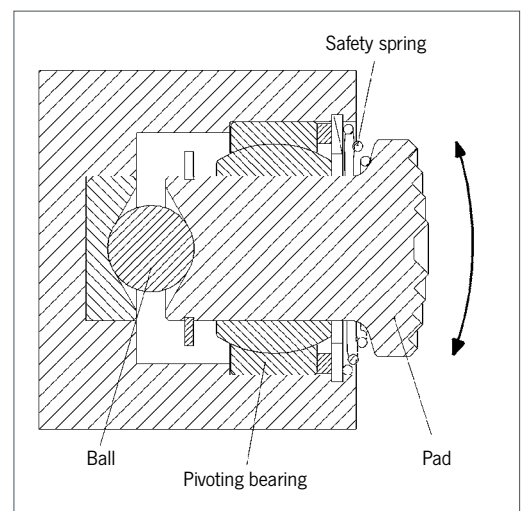
Dimensions model TSD

Model	TSD 1,5	TSD 3,0	TSD 5,0	TSD 7,5
A, mm	191	235	275	295
Ø B, mm	35	46	55	65
C, mm	24	34	40	50
D, mm	16	17	18	22
E, mm	60	67	85	92
F, mm	105	120	150	162
G, mm	50	60	75	80



INFO

The plate surface of the material must not exceed a hardness level of HRC 50.



Functional drawing pivoting pad



Screw clamp for three-dimensional pulling model TSZ

Capacity 500 - 7500 kg

The TSZ screw clamp is designed to pull in three directions. It offers many different possibilities for transporting steel constructions, feeding machining centres, etc.

The spindle is closed only finger tight.

When the screw clamp is tightened and lifting begins, the pivoting pad clamping system produces a wedging action against the material, holding it securely.

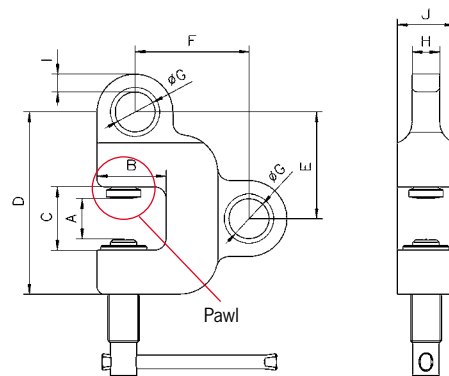


INFO

The plate surface of the material must not exceed a hardness level of HRC 50.

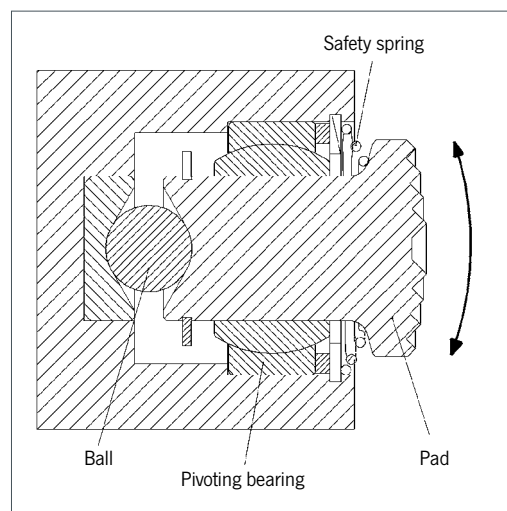
Technical data model TSZ

Model	EAN-No. 4025092*	Capacity kg	Jaw capacity mm	Weight kg
TSZ 0,5	*555739	500	0 - 28	2.3
TSZ 1,5	*555746	1500	0 - 35	5.6
TSZ 3,0	*555753	3000	0 - 35	8.8
TSZ 5,0	*555760	5000	0 - 40	16.2
TSZ 7,5	*555777	7500	0 - 40	20.9



Dimensions model TSZ

Model	TSZ 0,5	TSZ 1,5	TSZ 3,0	TSZ 5,0	TSZ 7,5
A, mm	28	35	35	40	40
B, mm	43	60	67	85	92
C, mm	45	55	65	75	75
D, mm	125	158	195	230	240
E, mm	72	93	114	133	143
F, mm	83	99	120	150	162
Ø G, mm	26	35	46	55	65
H, mm	16	24	34	40	50
I, mm	12	16	17	18	23
J, mm	35	50	60	75	80



Functional drawing pivoting pad